

PRODUCT FEATURES

- Two ultra-clean pressed-glass square shades provide ample amount of light
- Die-cast metal frame with hand-polished glass
- Fully dimmable integrated LED lamp
- Complementary Kamden Wall sconce also available by Tech Lighting
- Available in a three light and four light vanity option
- 5 year warranty with LED lamping option, visit techlighting.com for more warranty details



LAMPING

3-Light Shallow includes 120 volt, 25 watt, 1696.7 delivered lumens, 3000K LED module. 3-Light Standard includes 120 volt, 35 watt, 1780 delivered lumens, 3000K LED module. Dimmable with most LED compatible ELV or Triac dimmers. 277V compatible with 0-10V dimmers.

Chrome
Standard



Chrome
Standard

Satin Nickel
Standard

Chrome
Shallow

Satin Nickel
Shallow

ORDERING INFORMATION

700BCKMD SHAPE OR SIZE	FINISH	LAMP
3H 3 SHALLOW	C CHROME	-LED930 LED 90 CRI 3000K 120V
3S 3 STANDARD	S SATIN NICKEL	-LED930-277 LED 90 CRI 3000K 277V

700BCKMD _____

JOB NAME _____

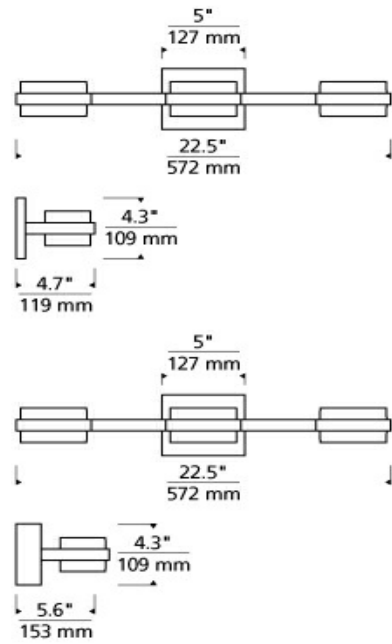
NOTES _____



KAMDEN 3-LIGHT BATH

SPECIFICATIONS

HARDWARE MATERIAL	Metal
SHADE MATERIAL	Glass
NET WEIGHT	3.0 lbs
HEIGHT	4.3in
WIDTH	4.7in
LENGTH	22.5in
WET LISTED	
DAMP LISTED	Yes
DRY LISTED	
GENERAL LISTING	ETL Listed
INCLUDES	



LAMPING SPECIFICATIONS

	LED LAMP	INTEGRATED LED	NON LED	NO LAMP
DELIVERED LUMENS		1696.7		
WATTS		5		
MAX WATTAGE PER BULB		35W		
INPUT VOLTAGE		120V 277V		
DIMMING TYPE*		ELV, TRIAC 0-10V		
CCT		3000K		
CRI		90 CRI		
LED LIFETIME				
L70		50000		
AVERAGE BULB HOURS		50000		
FIELD SERVICEABLE LED				
LAMP BASE		Integrated LED		
LAMP SHAPE		Integrated LED		
LAMP INCLUDED?		Y		
WARRANTY**		5 Years		

*Dimming information available at www.techlighting.com/Downloads#dimming

** Visit techlighting.com for specific warranty limitations and details.

T20 / T24 INFORMATION

	Integrated LED	Replacement LED Lamp	No Lamp *
This product can be used to comply with California Building Energy Efficiency Standards 2016 Title 24 Part 6.	Yes		
This product can be used to comply with California Appliance Efficiency Standards 2016 Title 20 and may be shipped to and sold in California.	N/A		

* If a light fixture or component does not include a lamp or light source, it is the responsibility of the customer to select a lamp that meets the T24 and T20 requirements.

