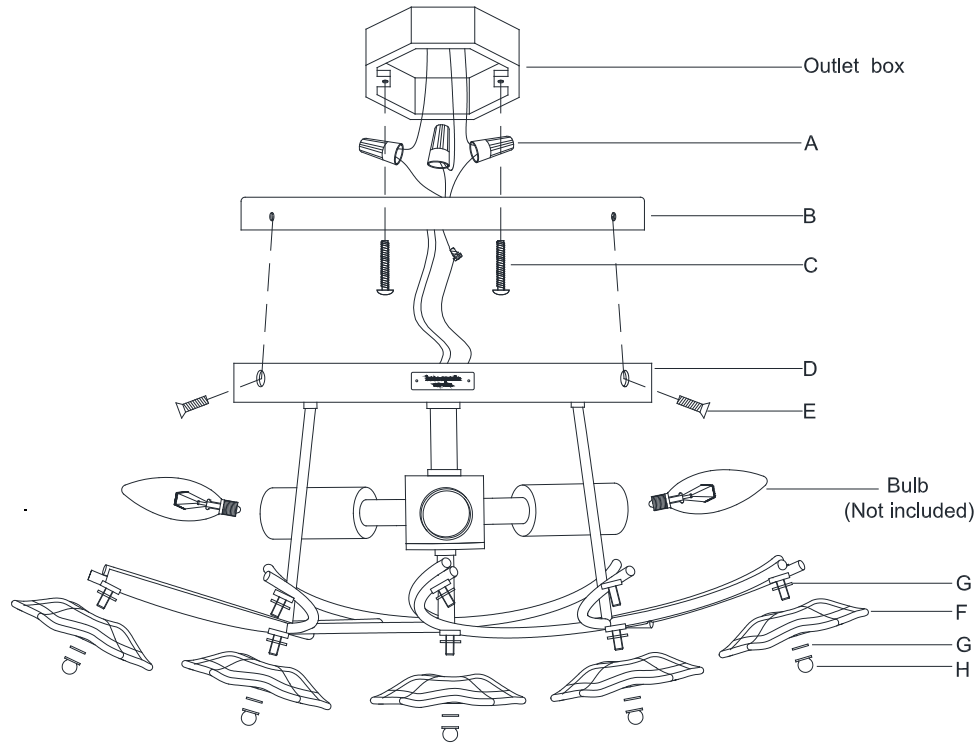


ASSEMBLY INSTRUCTIONS



Leighton Medium Flush Mount

Item # KS 4065

WE RECOMMEND INSTALLATION OF THIS LIGHTING FIXTURE BE DONE BY A LICENSED ELECTRICIAN.

WARNING*SWITCH OFF THE MAIN ELECTRICAL SUPPLY FROM THE MAIN FUSE BOX/CIRCUIT BREAKER BEFORE INSTALLATION.**

INSPECT ITEM CAREFULLY BEFORE ATTEMPTING TO INSTALL. IF THERE IS ANY DAMAGE OR OBVIOUS DEFECT. DO NOT INSTALL.

ITEM MAY NOT BE RETURNED ONCE IT HAS BEEN INSTALLED.

NOTE: CAREFULLY UNPACK EACH PIECE IN TOP LAYER OF PACKING PRIOR TO REMOVING. RETAIN ALL PACKING MATERIALLY UNTIL INSPECTION AND INSTALLATION ARE FINAL.

- Carefully remove all parts from the box.
- Remove the mounting plate (B) from fixture body (D) by loosening side screws (E).
- Affix mounting plate (B) onto the outlet box and secure with mounting screws (C).
- Connect the hot wire (BLACK) from the fixture to the hot wire from the outlet box (usually BLACK). Fasten them together with a plastic wire connector (A) provided and wrap the connection with electrical tape.
- Connect the neutral wire (WHITE) from the fixture to the wire from the outlet box (usually WHITE).
DO NOT REVERSE THE HOT AND NEUTRAL CONNECTIONS OR SAFETY WILL BE COMPROMISED.
- Connect ground wire from the fixture (bare copper) to ground wire from the outlet box (usually green or copper in color).
IT IS IMPERATIVE THAT THIS FIXTURE BE GROUNDED.
- Attach fixture body (D) onto the mounting plate (B) and secure with side screws (E).
- Insert bulbs (not included) into the sockets.
- Attach the glass disk (F) to the fixture body and secure with rubber washer (G) and finial (H).
- Installation is complete, turn on power at fuse or circuit breaker.

***Clean with a dry, soft cloth only. Use no harsh abrasives or chemical agents.

