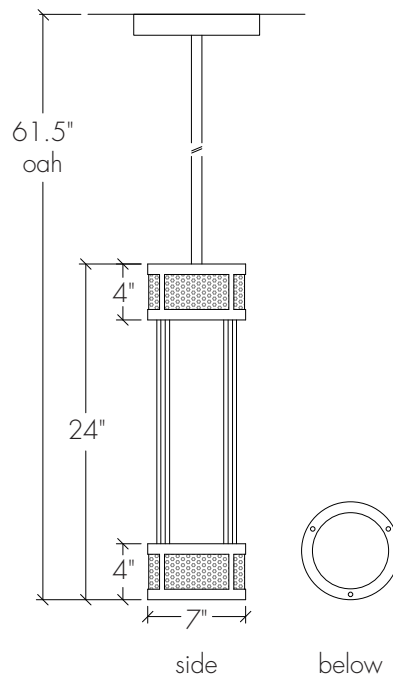


ULTRALIGHTS



DUO 19436-24

Base Specifications:

7" dia x 24" h x 61.5" OAH
 04: LED - 30.6W (Dim w/0-10V dim system)
 Opal Acrylic Diffuser
 Stem mount*

Notes:

04 Lamping: Wattage and Lumens - Initial at the source
 Shown in: A1 - Angles

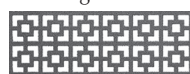
19436-24	-	-	-	-
MODEL		PERF	FINISH	DIFFUSER
				LAMPING

*Modifications:

Stem mount (Standard):
 ___ OAH

Other Modifications:

A1 - Angles



CL - Cloverleaf



RD - Round



BA - Bronze Age
 BK - Black
 BP - Black Pearl
 CB - Cast Bronze
 CH - Chestnut
 CR - Chrome
 DI - Dark Iron
 EB - Empire Bronze
 MB - Medieval Bronze
 NB - New Brass
 SB - Smokey Brass
 SP - Satin Pewter
 SS - Smoked Silver

OA - Opal
 Premium
 CO - Caramel Onyx
 FA - Faux Albaster
 TS - Tea Stained
 WS - White Swirl

04: Damp / Dry LED - 30.6W - 5202 Lumens
 (Dim w/ Std Phase Dim) - 120V
 (Non-Dim or Dim w/ 0-10V Dim system) - Universal

COLOR TEMPERATURE / CRI

- 3000K (Standard) - CRI available upon request
- 2700K - CRI available upon request
- 3500K - CRI available upon request
- 4000K - CRI available upon request

Project Name:
 Project Location:

Specifier Name:
 Specifier Location:

Quantity:
 Fixture Type:

WWW.ULTRALIGHTSLIGHTING.COM