

# INSTALLATION INSTRUCTION

Item No.: CP27-2CH

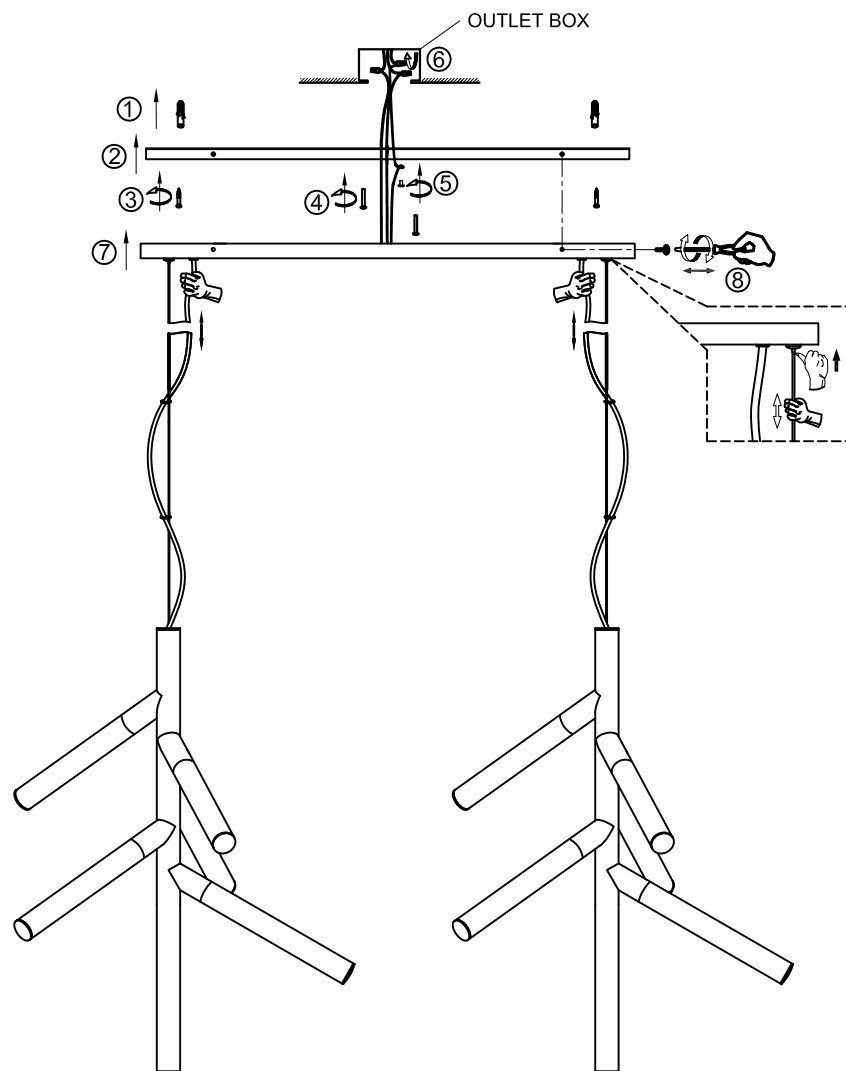
**Warning!!! Shut Power Off At Fuse or Circuit Breaker .**

**Safety:**

**Consult a certified Electrician prior to beginning this installation.**

**FOR YOUR SAFETY WARNING: BE SURE THE ELECTRICITY TO THE WIRES YOU ARE WORKING ON IS SHUT OFF; EITHER THE FUSE IS REMOVED OR THE CIRCUIT BREAKER IS SHUT OFF.**

Generally, you don't need special tools to install this fixture. Be sure to follow the steps in the order given. Under no circumstances should a fixture be hung on house electrical wires, nor should a swag type fixture be installed on a ceiling which contains a radiant type heating system. Read instructions carefully. If you are unclear as to how to proceed, consult a qualified electrician. NOTE: Proper wiring is essential for the safe operation of this fixture.



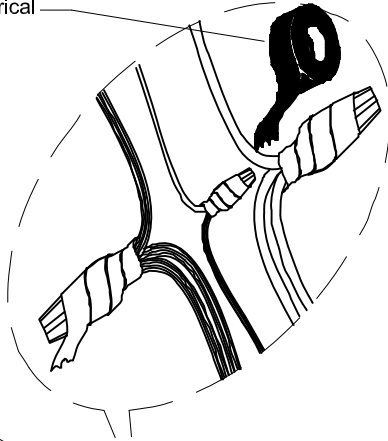
## FEATURE

- 120V ~ 60Hz
  - Lamp Type: AC LED 12 x 5W(5400Lm)
- The lamp is for indoor use only  
Turn power off to outlet before beginning installation

## Wire Connections:

Thread individual fixture cables through the connectors in ceiling plate and tighten set screw to hold cable secure. For multi light hanging do not use the small individual ceiling plates. Connect the fixture wires to the Outlet Box wires as follows. Connect the White Fixture wire to the White Supply Wire, Connect the Black Fixture Wire to the Black Supply Wire. Make sure all wire Connectors are secure and do not easily pull off with the slight tug. If there is no Green Ground Wire from the Outlet Box, Connect the Fixture Ground Wire to the Cross Bar with the Green Grounding Screw provided. Once all wires are connected, tuck them carefully into Outlet Box.

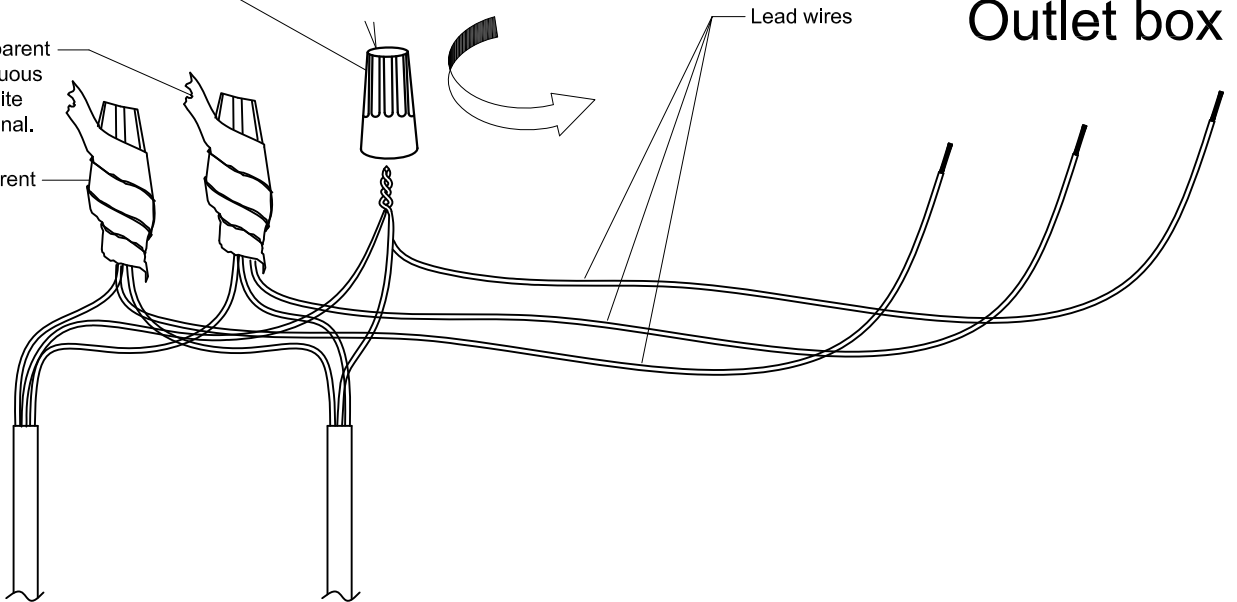
Use a terminal to fix the wires together tightly and use electrical tape to wrap them up



Connect the transparent wires with a continuous green trace and bare copper wire in a terminal.

Connect the transparent wires with a continuous white trace and white lead wire in a terminal.

Connect the transparent wires and black lead wire in a terminal.



Remark: Every terminal can fix maximum 5 wires, if there are more than 4 fixture wires to be combined, please use more terminals to connect the wires.