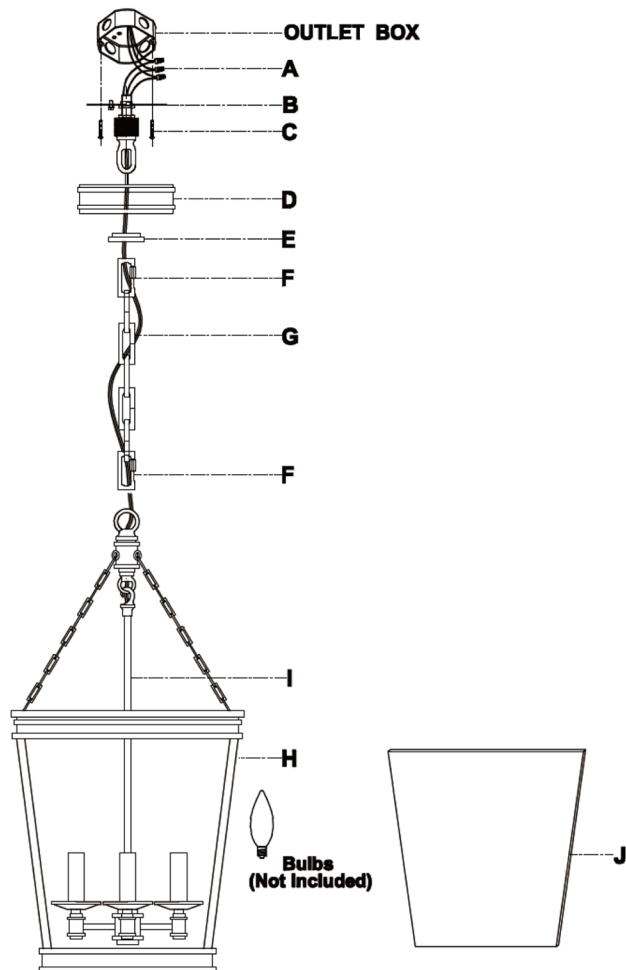


ASSEMBLY INSTRUCTIONS



Lauceton Medium Square Lantern

Item # CHC 5611

WE RECOMMEND INSTALLATION OF THIS LIGHTING FIXTURE BE DONE BY A LICENSED ELECTRICIAN.

WARNING***SWITCH OFF THE MAIN ELECTRICAL SUPPLY FROM THE MAIN FUSE BOX/CIRCUIT BREAKER BEFORE INSTALLATION.

INSPECT ITEM CAREFULLY BEFORE ATTEMPTING TO INSTALL. IF THERE IS ANY DAMAGE OR OBVIOUS DEFECT. DO NOT INSTALL.

ITEM MAY NOT BE RETURNED ONCE IT HAS BEEN INSTALLED.

NOTE:CAREFULLY UNPACK EACH PIECE IN TOP LAYER OF PACKING PRIOR TO REMOVING. RETAIN ALL PACKING MATERIAL UNTIL INSPECTION AND INSTALLATION ARE FINAL.

1. Carefully remove all parts from the box.
 2. Hang up the center stem (I) to the body (H).
 3. Install the glass (J) to the lantern frame.
 4. Unscrew the quick link (F) on one end of chain (G) and hang it onto the lamp body (H), close the quick link to secure the lamp body.
 5. Unwrap the wiring from the lamp body (H), twist power supply and ground wire together. And pass through center hole of lock collar (E) , canopy (D) and ceiling loop with Crossbar (B).
 6. Install the crossbar (B) with ceiling loop to the outlet box by mounting screws (C).
 7. Connect the fixture ground (bare) wire with the ground wire from the outlet box using wire nuts (A).
- If your house does not have ground wire, then attach this wire to the green Grounding screw Inside of the outlet box.
- IT IS IMPERATIVE THAT THIS FIXTURE BE GROUNDED.
8. Connect the fixture Neutral wire (ribbed, no markings) with the neutral wire from the Outlet box using wire nuts (A).
 9. Connect the fixture Hot (smooth edge, markings) wire with the hot wire from the outlet Box using wire nuts (A).
- DO NOT REVERSE THE HOT AND NEUTRAL CONNECTIONS OR SAFETY WILL BE COMPROMISED.
10. Unscrew the quick link (F) on another end of chain (G) and hang it to the ceiling loop of crossbar (B), close the quick link (F) and secure with Lock collar (E).
 11. Insert bulbs (not included) into the sockets.
 12. Installation is complete, turn on power at fuse or circuit breaker.

***Clean with a dry, soft cloth only. Use no harsh abrasives or chemical agents.