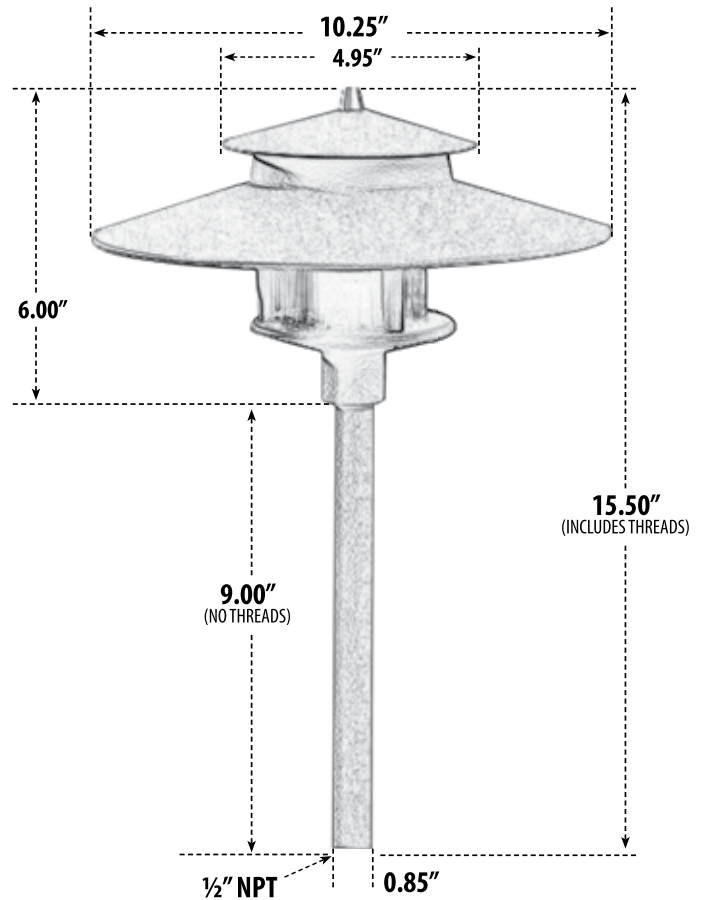


# LV70

## PATH, WALKWAY AND AREA LIGHT



- ▶ **Material:** Powder Coated Cast Aluminum
- ▶ **Lens:** White Reflector with Clear Plastic Diffuser
- ▶ **Lamp:** JC Bi-Pin Base (20W Maximum)

MODEL NUMBER	LAMP TYPE	ILLUMINANT TYPE	WATTS (W)	VOLTS (V)	LAMP(S) INCLUDED?
LV70	JC	HALOGEN	20	12	YES
LV-LED70	JC-LED	LED	1.3	12	YES

Pre-wired with UL Listed Direct Burial Wire/Cable

- ▶ **1/2" NPT**
- ▶ **Ground Spike Included for Installation**
- ▶ **Connector Available:** P-CN01 (sold separately)
- ▶ **Available Finish:** Black, Bronze, Verde Green, Patina Green, Dark Sand
- ▶ **ETL Approved**

Overall Dimensions:  
15.50"H x 10.25"W x 10.25"D

Maximum Height: 15.50"  
Width: 10.25"  
Maximum Depth: 10.25"

Weight: 2.20 lbs  
Approximate Wire Length: 33"  
Box Dimensions:  
6.50"H x 10.25"W x 10.25"D

**DABMAR**  
LIGHTING

DABMAR LIGHTING INCORPORATED

2140 Eastman Ave . Oxnard, CA 93030 . 805.604.9090 . f: 805.604.9050 . www.dabmar.com